



GKEA01L



Actual product appearance may vary.

GKE Series, Dual Entry Key-Operated Safety Interlock Switch, 1NC/1NO Direct Opening, Snap Action, 1/2 NPT, Plastic, Silver Contacts

Features

- Positive opening safety contacts
- Multiple contact configurations
- Rotating head allows actuator engagement from five orientations
- Double insulation per IEC 60947-5-1
- Choice of two standard actuators
- Small size
- Global approvals (cULus, CE, CCC)

Potential Applications

- Plastic molding equipment
- Packaging machinery
- Semiconductor manufacturing equipment
- Woodworking machinery
- Metal converting equipment
- Printing/paper finishing equipment

Description

The GKE Series safety key-operated switch provides superior reliability for safety hard guarding applications in a compact, cost-effective package. The GKE conforms to IEC 60947-5-1 and carries the cULus, CE, and CCC approvals.

Product Specifications	
Product Type	Key Operated Safety Interlock Switch
Actuator	Key
Switch Type	1NC/1NO Direct Opening, Snap Action
Contact Material	Silver
Termination Type	1/2 NPT
Ampere Rating	100 mA to 10 A (Thermal)
Voltage	600 Vac and 250 Vdc Maximum
Housing Material	Plastic
Housing Type	EN50047
Series Name	GKE

Shock	50 g per IEC 68-2-27
Vibration	10 g per IEC 68-2-6
Sealing	IP66, NEMA 1, 12, 13
Approvals	cULus, CE, CCC
CSA File #	E37138
UL File #	E37138, E157416
Agency Approvals and Standards	IEC 947-5-1, EN60947-5-1
Mechanical Life	1 Million
Operating Temperature Range	-25 °C to 85 °C [-13 °F to 185 °F]
Availability	Global
UNSPSC Code	302119
UNSPSC Commodity	302119 Switches and controls and relays
Note 1	Low Voltage Directive 73/23/EEC, as amended by directive 93/68/EEC. Machinery Directive 98/37/EEC only as the directives relate to the components being used in a safety function.

HONEYWELL
PART NUMBER
GKE SERIES CHART 1

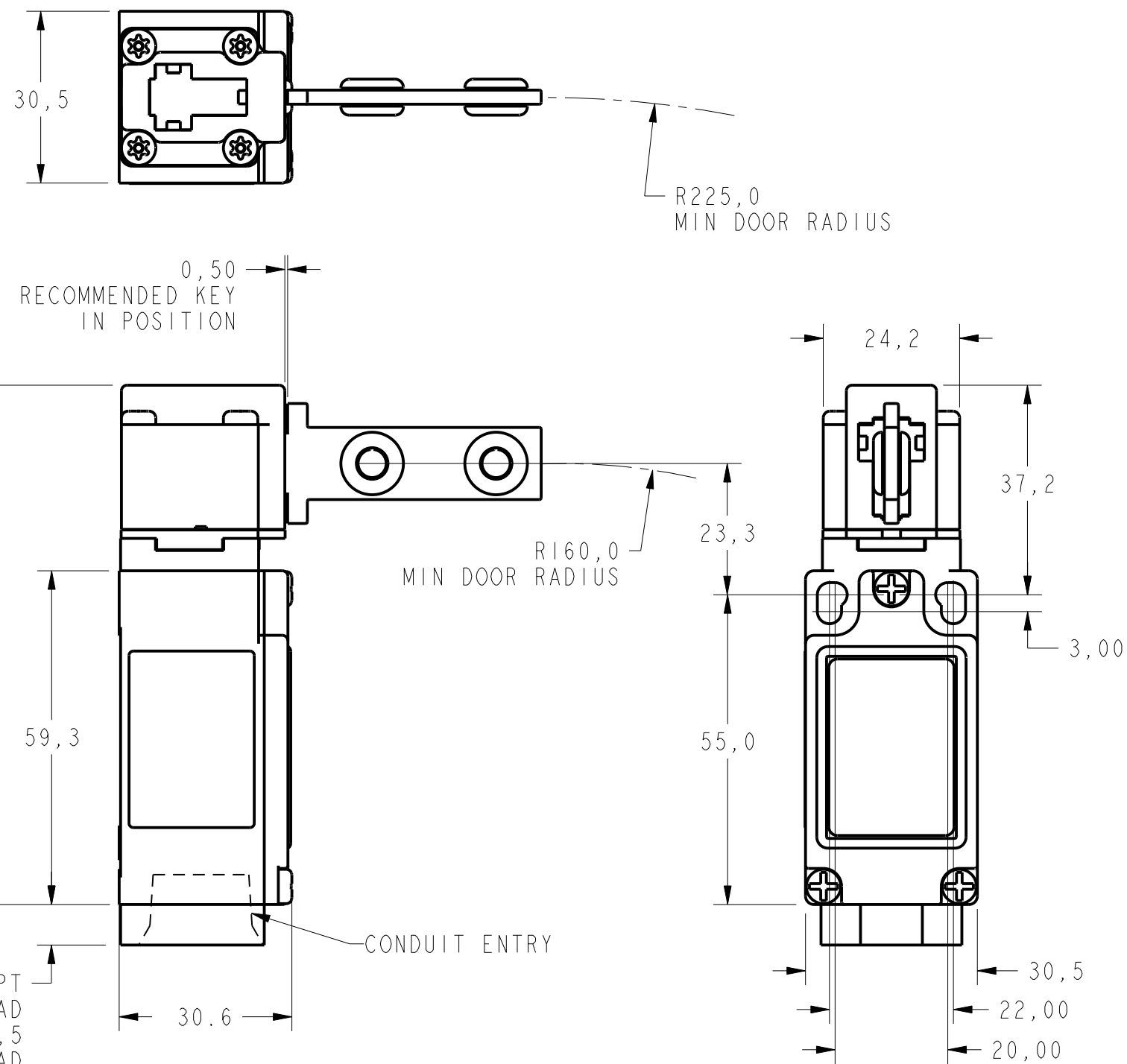
GKE

REV	DOCUMENT	CHANGED BY	CHECK
B	0016724	TSG 08NOV05	RJ

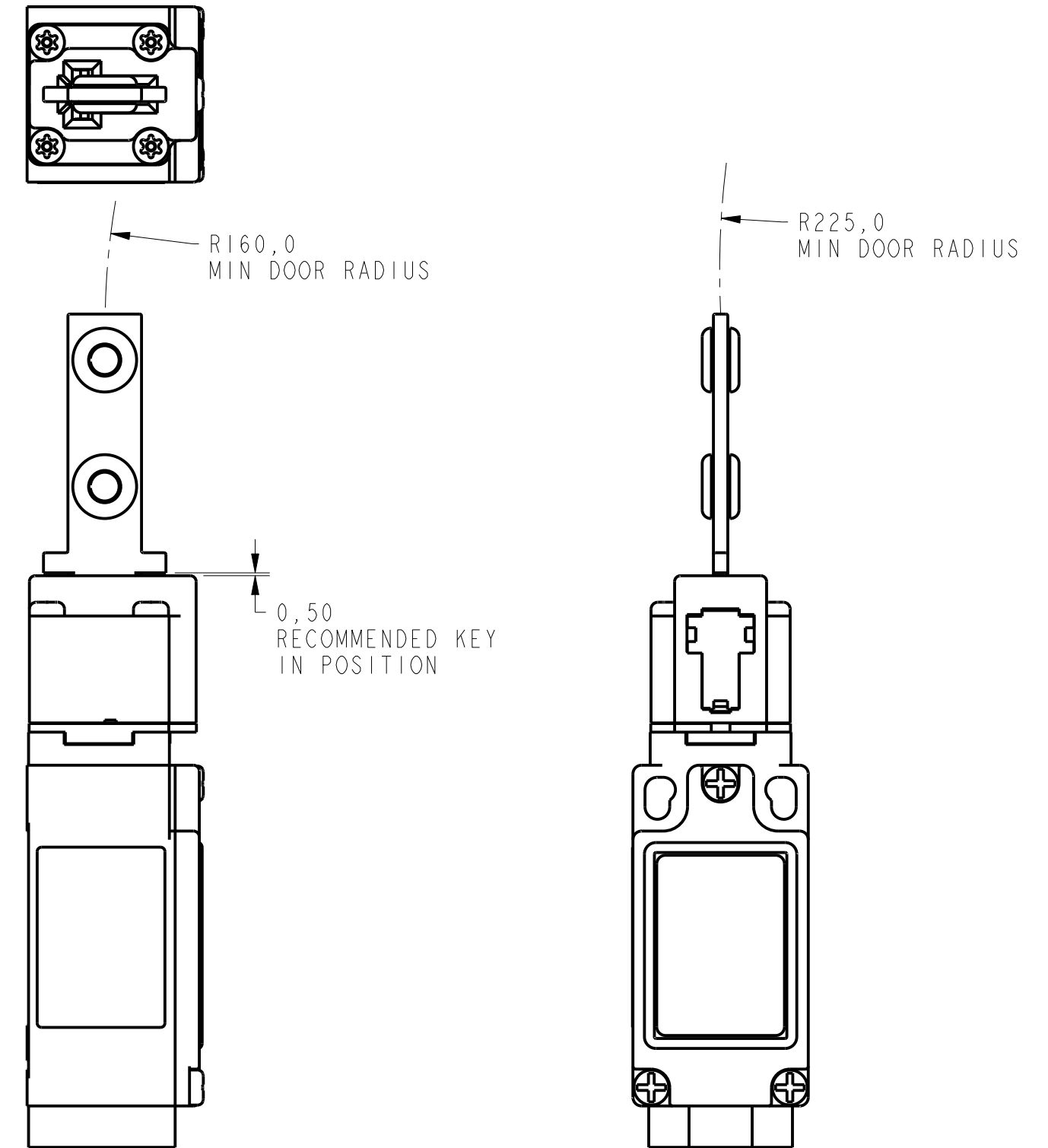
NOTES

- 1 - THERMOPLASTIC BODY AND HEAD
 - 2 - MINIMUM OPERATING VELOCITY (V_{min}) = 2 mm/S
MAXIMUM OPERATING VELOCITY (V_{max}) = 200 mm/S
MAXIMUM OPERATING FREQUENCY (F_{max}) = 100 OPS/MIN
 - 3 - INSERTION FORCE = 7N NOM
EXTRACTION FORCE = 15N NOM
DISCONNECT FORCE = 25N MAX
 - 4 - SNAP ACTION N.C. CONTACTS: POSITIVE OPENING
SLOW MAKE AND BREAK N.C. CONTACTS: DIRECT ACTING
 - 5 - WHEN KEY IS INSERTED: N.C. TERMINALS ARE 11/12 AND/OR 21/22
N.O. TERMINALS ARE 13/14
- 6 - SEE BASIC SWITCH COLUMN FOR VOLTAGE RATING
- 7 - T-15 TAMPER PROOF TORX DRIVER BIT GKZT15BIT MAY BE PURCHASED SEPARATELY FOR USE IN REORIENTING OPERATING HEAD, SEE INSTALLATION INSTRUCTIONS
- 8 - SWITCH MUST OPERATE BEFORE REACHING MINIMUM INSERTION DISTANCE
- 9 - KEY ACTUATOR NOT SUPPLIED WITH PRODUCT, ACTUATOR MUST BE PURCHASED SEPARATELY
- 10 - RECOMMENDED TIGHTENING TORQUE FOR MOUNTING SCREW : 1 - 1,4 Nm
- 11 - ENCLOSURE DOUBLE INSULATED TO IEC 536 CLASS II

CONDUIT CODE		BASIC SWITCH CODE ⁶		HEAD ORIENTATION CODE	
CODE		CODE		CODE	
A	1/2 NPT	01	SNAP ACTION INC - INO, A600	L	OPENING TO FRONT AND TOP
C	20 MM	03	SLOW ACTING INC - INO BBM, A600	M	OPENING TO RIGHT AND TOP
		06	SLOW ACTING 2NC, A500	N	OPENING TO BACK AND TOP
				P	OPENING TO LEFT AND TOP



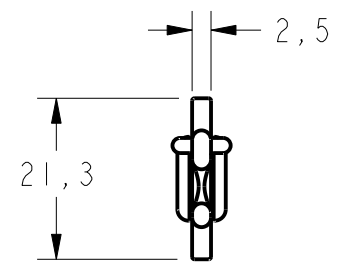
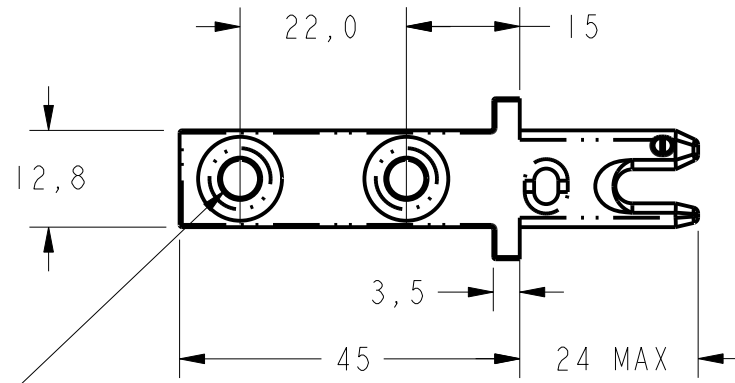
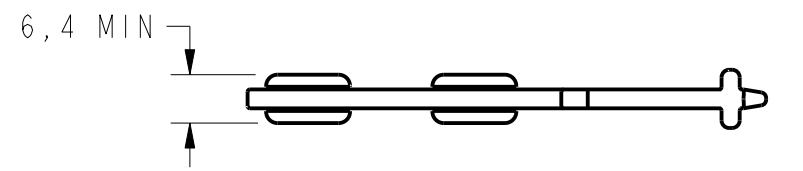
FRONT ENTRY



TOP ENTRY

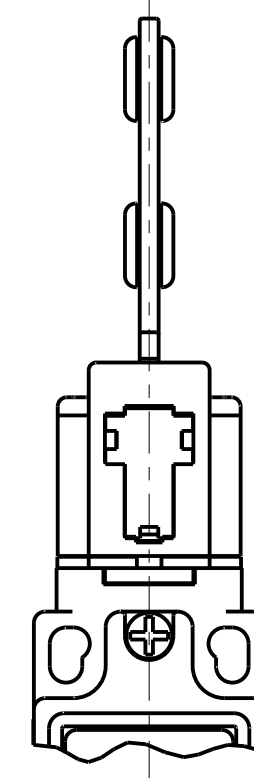
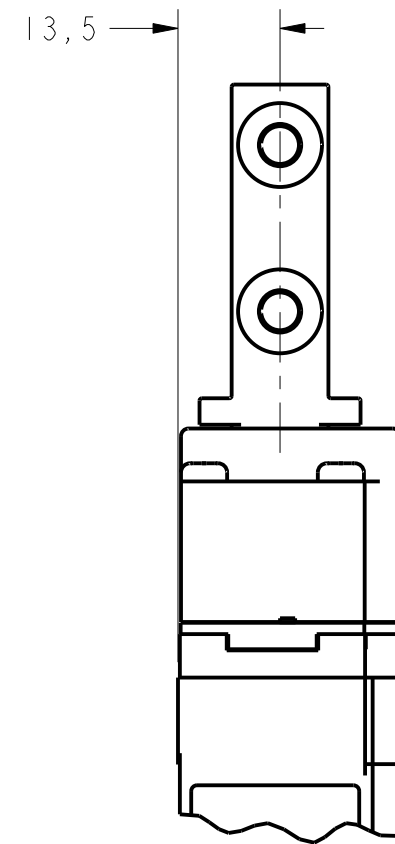
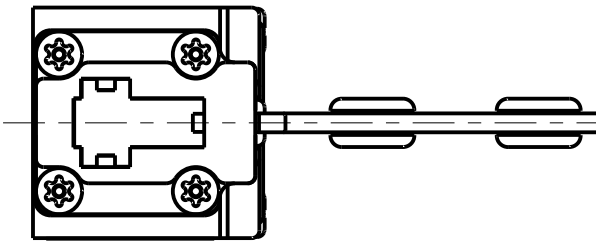
ELECTRICAL RATING				ENVIRONMENTAL		APPROVALS	
AC		DC					
A500/A600 $U_e/\sqrt{6}$	AC15 I_e	Q300 U_e	DC13 I_e	IP 66	NEMA 1, 12 & 13	IEC 60947-5-1 EN50047	
(VOLTS)	(AMPS)	(VOLTS)	(AMPS)	TEMP RANGE: -25°C TO 85°C			
120	6	24	2.8	STORAGE: -40°C TO 85°C			
240	3	125	.55	SHOCK: 50G PER IEC 68-2-27			
380	1.9	250	.27	VIBRATION: 10G PER IEC 68-2-6			
480	1.5						
500	1.4						
600	1.2						
ITH = 10A							

DESIGN UNITS: MM TOLERANCES UNLESS NOTED:	NO PLACE X ± 1,000	ONE PLACE .X ± 0,4	TWO PLACE .XX ± 0,15	THREE PLACE .XXX ± 0,005	FOUR PLACE .XXXX ± 0,0050	ANGLES X ± 3	DRAWN MAM 23 JUN 05	CHECK - 23 JUN 05	Honeywell			
THIS DRAWING COVERS A PROPRIETARY ITEM AND IS THE PROPERTY OF HONEYWELL. THIS DRAWING IS NOT TO BE COPIED OR USED WITHOUT THE PERMISSION OF HONEYWELL.							TITLE SWITCH, KEY INTERLOCK					
INTERPRET PER ASME Y14.5M-1994 OTHER HONEYWELL ENGINEERING STANDARDS MAY APPLY							SIZE C	TYPE I	DRAWING NAME GKE SERIES CHART 1		REV B	
Pro/ENGINEER							3D	SCALE FULL	SHEET 1 OF 3			

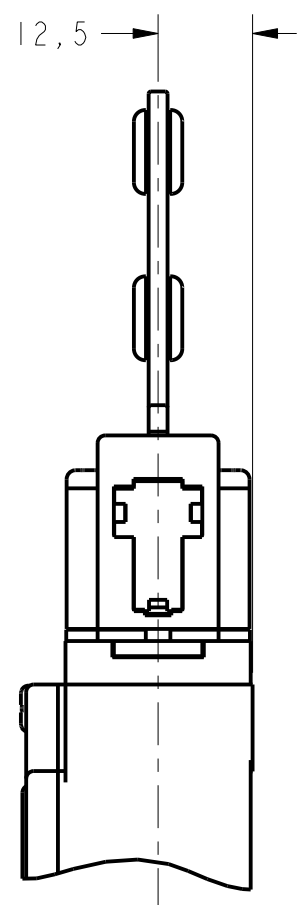
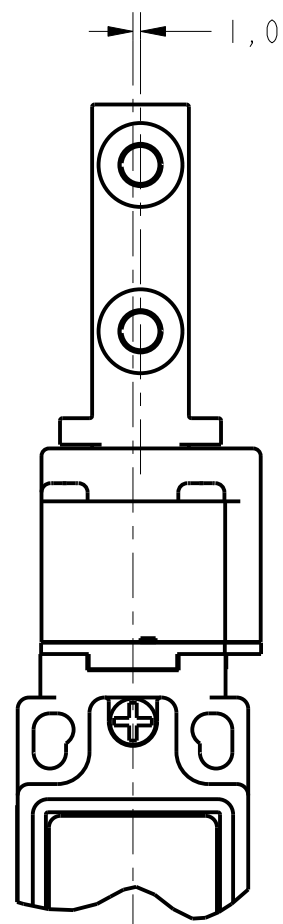
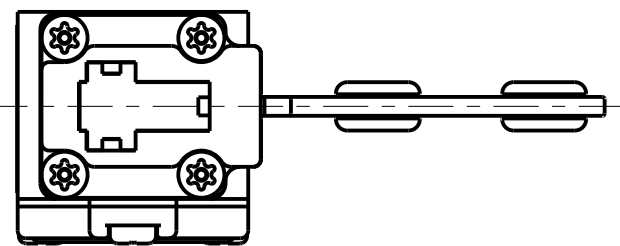


2X HOLES FOR M4 OR #8 SCREWS $\triangle 10$

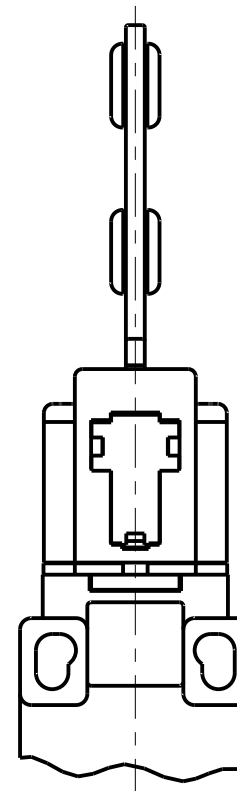
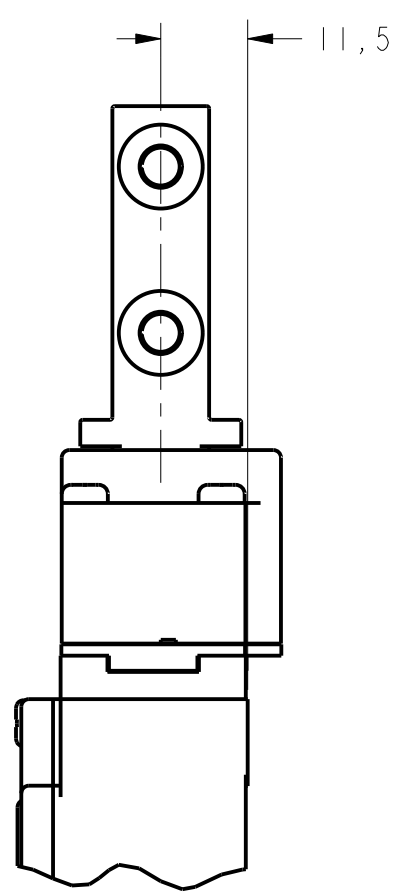
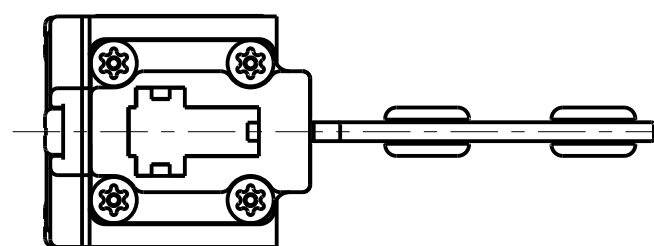
ACTUATOR GKZ51M $\triangle 9$
STRAIGHT KEY
 (STAINLESS STEEL)



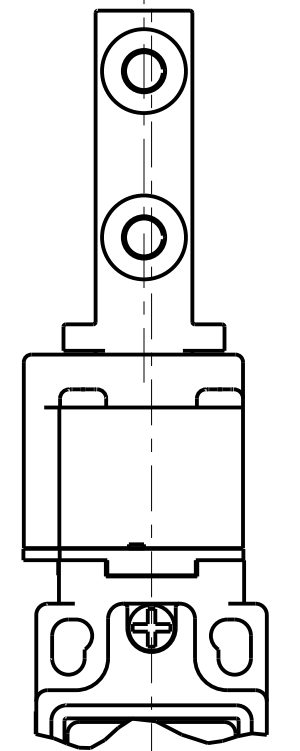
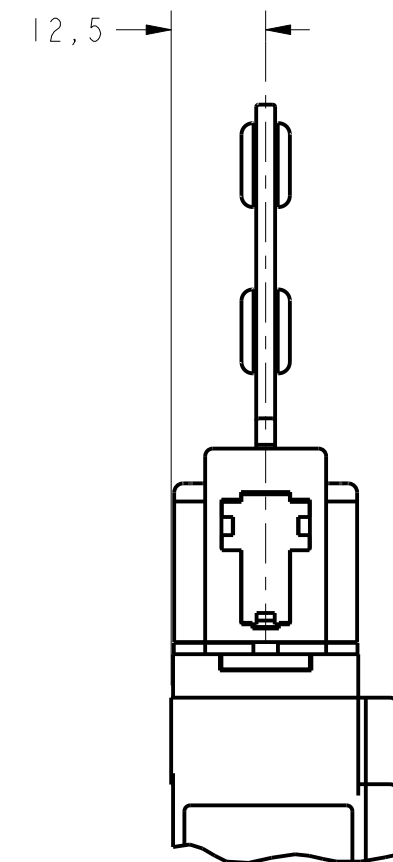
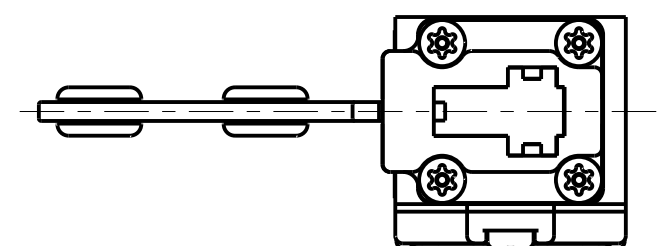
HEAD ORIENTATION CODE L



HEAD ORIENTATION CODE M



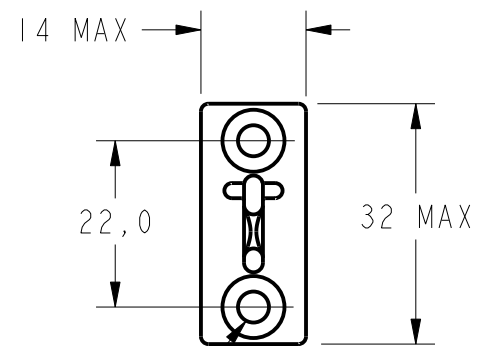
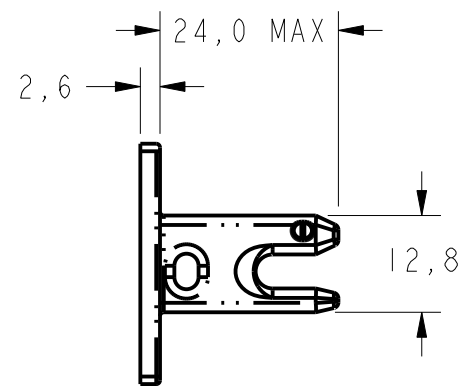
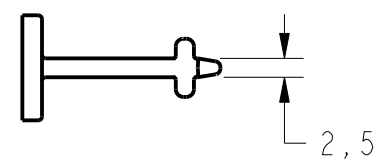
HEAD ORIENTATION CODE N



HEAD ORIENTATION CODE P

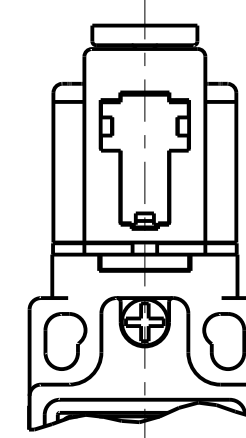
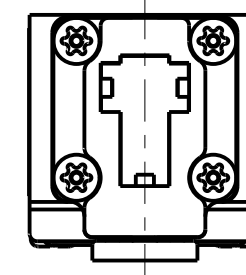
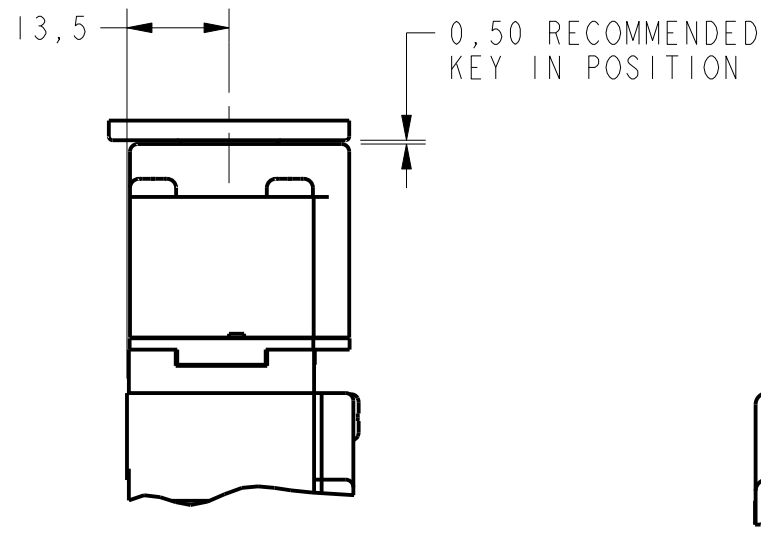
THIS DRAWING COVERS A PROPRIETARY ITEM AND IS THE PROPERTY OF HONEYWELL. THIS DRAWING IS NOT TO BE COPIED OR USED WITHOUT THE PERMISSION OF HONEYWELL.

Honeywell			
SIZE	DWG TYPE	DRAWING NAME	REV
C	I	GKE SERIES CHART 1	B
SCALE	FULL	SHEET	2 OF 3

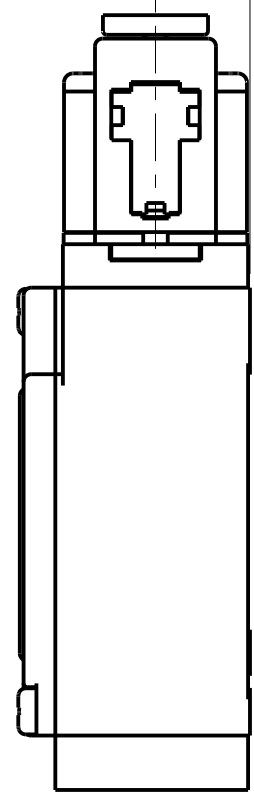
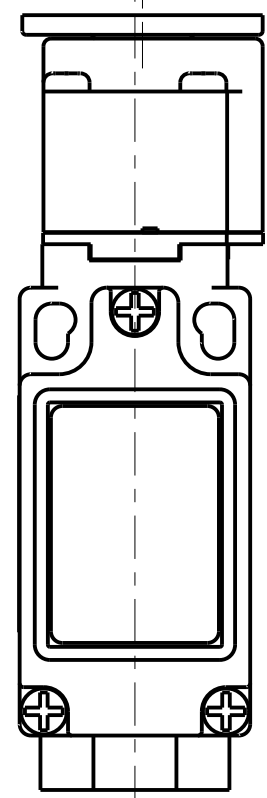
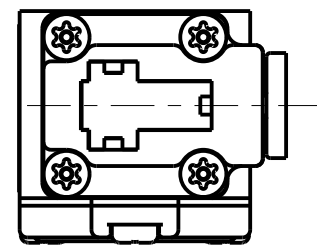


2X HOLES FOR M4 OR #8
COUNTERSUNK SCREW
WITH 45° COUNTERSINK
X ∇ 2,1 \triangle 10

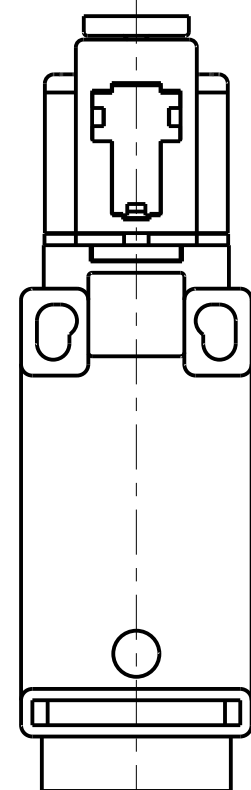
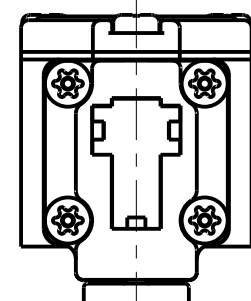
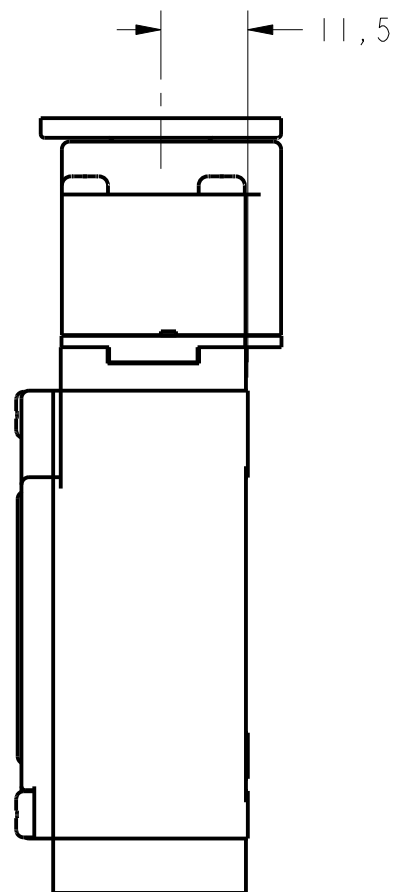
ACTUATOR GKZ52M \triangle 9
90° KEY
(STAINLESS STEEL)



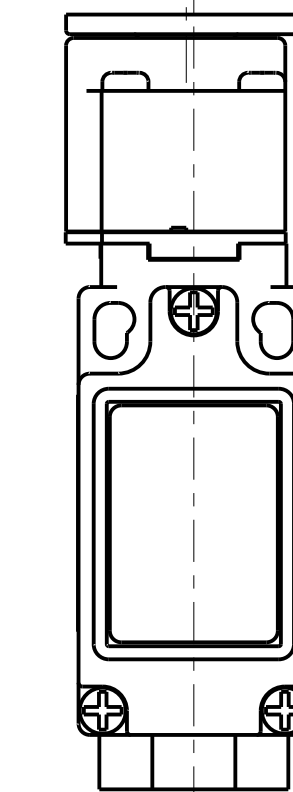
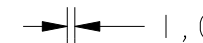
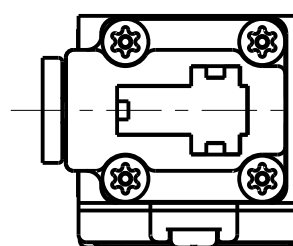
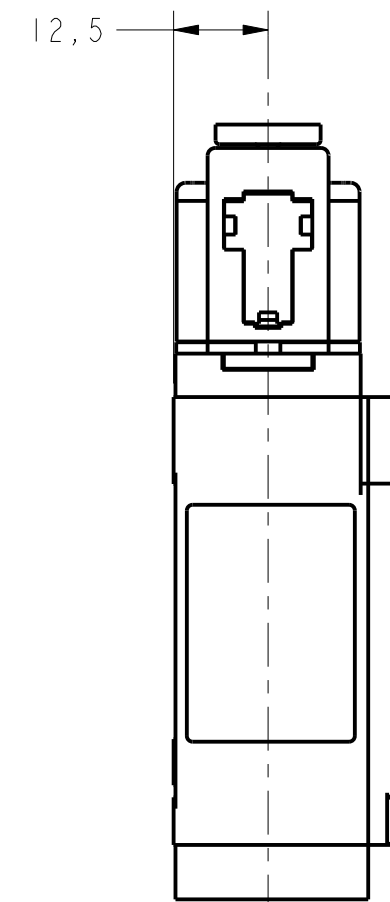
HEAD ORIENTATION CODE L



HEAD ORIENTATION CODE M



HEAD ORIENTATION CODE N



HEAD ORIENTATION CODE P

THIS DRAWING COVERS A PROPRIETARY ITEM AND IS THE PROPERTY OF HONEYWELL. THIS DRAWING IS NOT TO BE COPIED OR USED WITHOUT THE PERMISSION OF HONEYWELL.

Honeywell			
SIZE	DWG TYPE	DRAWING NAME	REV
C	I	GKE SERIES CHART 1	B
SCALE	FULL	SHEET	3 OF 3